

INLINECOATER™ R

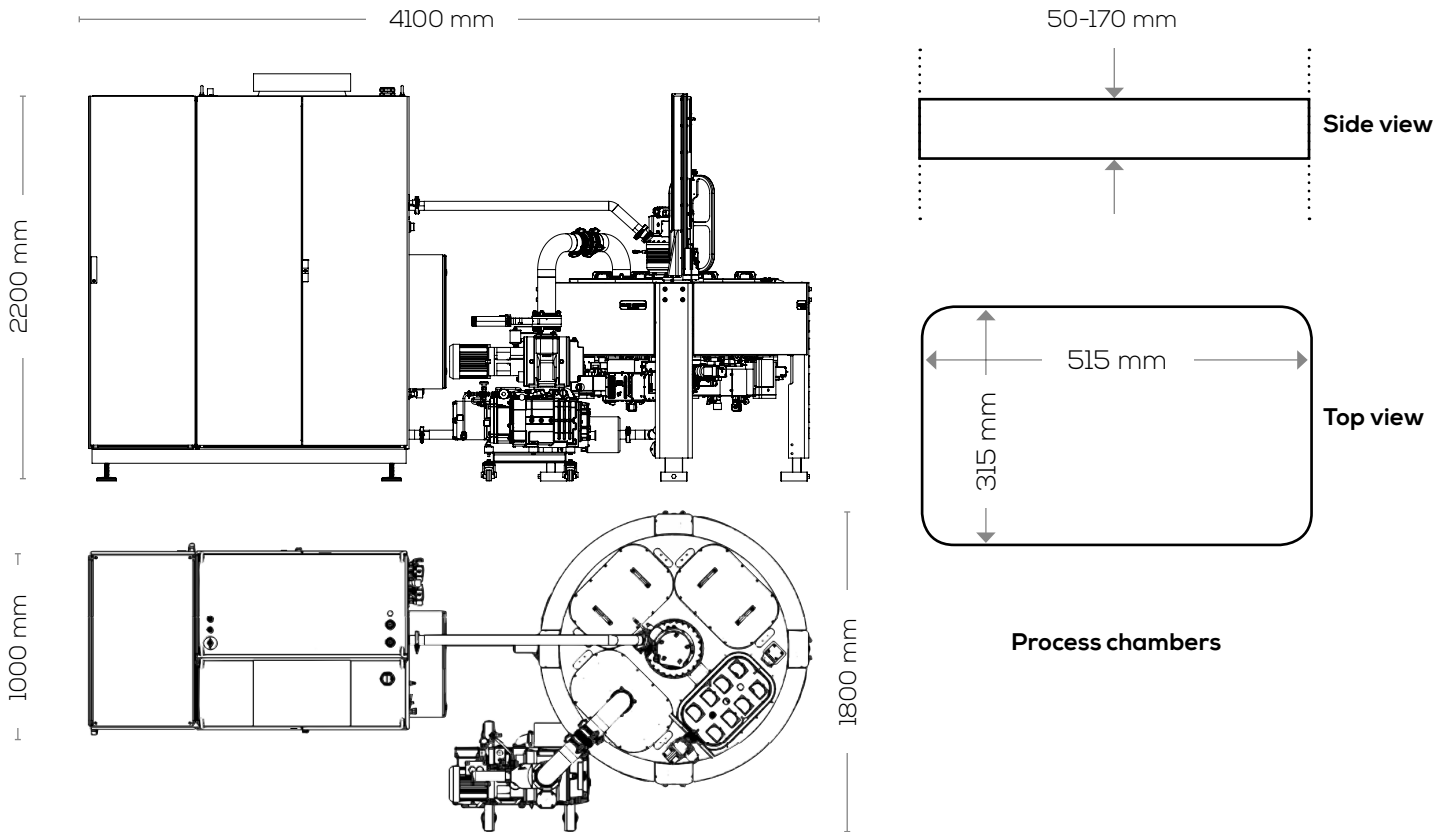


Integrated vacuum coating equipment for automotive lighting reflectors

- Aluminum + SiO_x coating
- Integrated with injection molding
- Superior quality control and low cost

Automated production cells with plastic injection molding and the INLINECOATER™ R coating equipment is the industry's most cost efficient manufacturing solution for lighting reflectors.

Fulfilling automotive industry standards and requirements the INLINECOATER™ R is equipped for plasma etching, high quality magnetron sputtering of metals, and plasma enhanced CVD (PECVD) for SiO_x coating.



TECHNICAL DATA

System configuration

Loadlock	Automatic or manual
Number of process chambers	3
Substrate transfer	Rotating revolver, under vacuum
Substrate holder	Horizontal, fixed in rotating revolver

Processes and sources

Substrate bias	No
Plasma etching	Yes
Deposition sources	Dynamic magnetron sputtering
Number of deposition sources	1-4
Source orientation	Top, bottom, or both
Plasma polymerization using plasma enhanced CVD	Yes

Vacuum system

Base pressure	$<1 \times 10^{-5}$ Torr
Turbo molecular pump	2300 l/s
Backing pump	Mechanical or dry pump
Pump, loadlock evacuation	Mechanical or dry pump

Productivity

Typical batch time	60 s
Control system	PLC (Mitsubishi), Panel PC, Citect HMI

Utilities

Electricity	400V 3N~, 125A, 50Hz
Cooling water	100 l/min, maximum 3 bar input
Compressed air	6-10 bar input, $<0,003$ mg/m ³ hydrocarbon

Process gas Argon

System weight Approx. 3000 kg (depends on configuration)

Note: Specifications may change without notice