

INLINECOATER™ P400 P200



Integrated vacuum coating equipment for plastic metallization

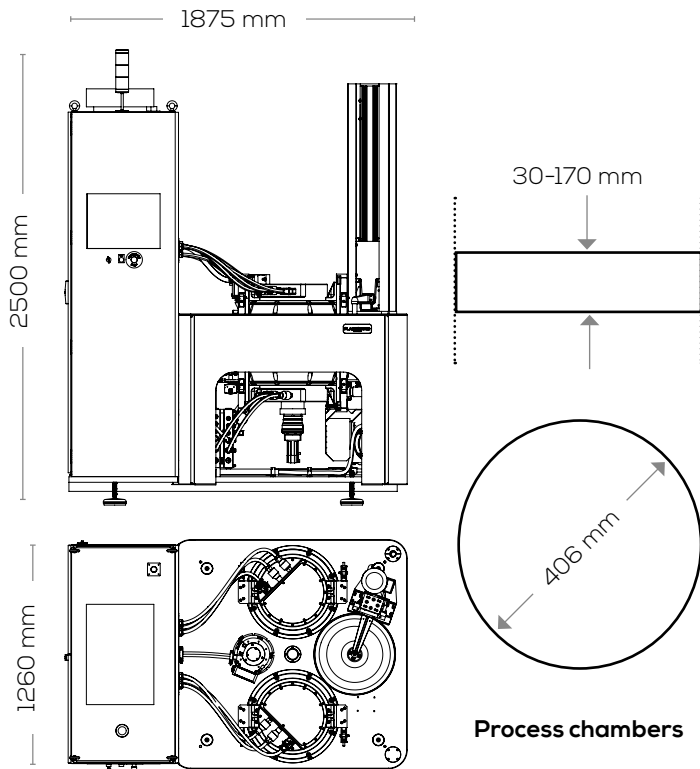
- Decorative and functional metallization
- Integrated with injection molding
- Compact platforms

The INLINECOATER™P400 and INLINECOATER™P200 are dedicated to metallization of plastic parts, providing magnetron sputtering in two coating chambers on compact platforms.

Automated production cells with plastic injection molding and the INLINECOATER™P or M are the industry's most cost efficient manufacturing solutions for plastic metallization.

IMPACT
COATINGS

INLINECOATER™ P400



TECHNICAL DATA INLINECOATER™P400

System configuration

Loadlock	Automatic
Number of process chambers	2
Substrate transfer	Rotating revolver, under vacuum
Substrate holder	Horizontal, fixed in rotating revolver

Processes and sources

Deposition sources	Magnetron sputtering
Number of deposition sources	1-4
Source orientation	Top, bottom, or both

Productivity

Typical batch time	40 s
--------------------	------

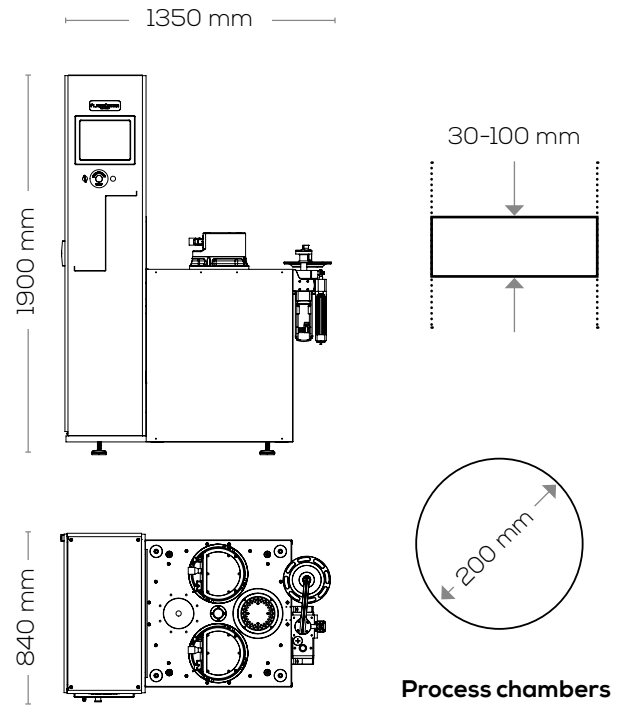
Utilities

Electricity	400V 3N~, 63A, 50Hz
Cooling water	50 l/min, maximum 3 bar input
Compressed air	6-10 bar input, <0,003 mg/m ³ hydrocarbon

Process gas Argon

System weight Approx. 2000 kg

INLINECOATER™ P200



TECHNICAL DATA INLINECOATER™P200

System configuration

Loadlock	Automatic
Number of process chambers	2
Substrate transfer	Rotating revolver, under vacuum
Substrate holder	Horizontal, fixed in rotating revolver

Processes and sources

Deposition sources	Magnetron sputtering
Number of deposition sources	1-4
Source orientation	Top, bottom, or both

Productivity

Typical batch time	25 s
--------------------	------

Utilities

Electricity	400V 3N~, 32A, 50Hz
Cooling water	30 l/min, maximum 3 bar input
Compressed air	6-10 bar input, <0,003 mg/m ³ hydrocarbon

Process gas Argon

System weight Approx. 1200 kg

Note: Specifications may change without notice

IMPACT COATINGS

Impact Coatings AB • Westmansgatan 29G, SE-582 16 Linköping, Sweden • Tel: +46 13 35 99 50
info@impactcoatings.se • www.impactcoatings.com