

INLINECOATER™M

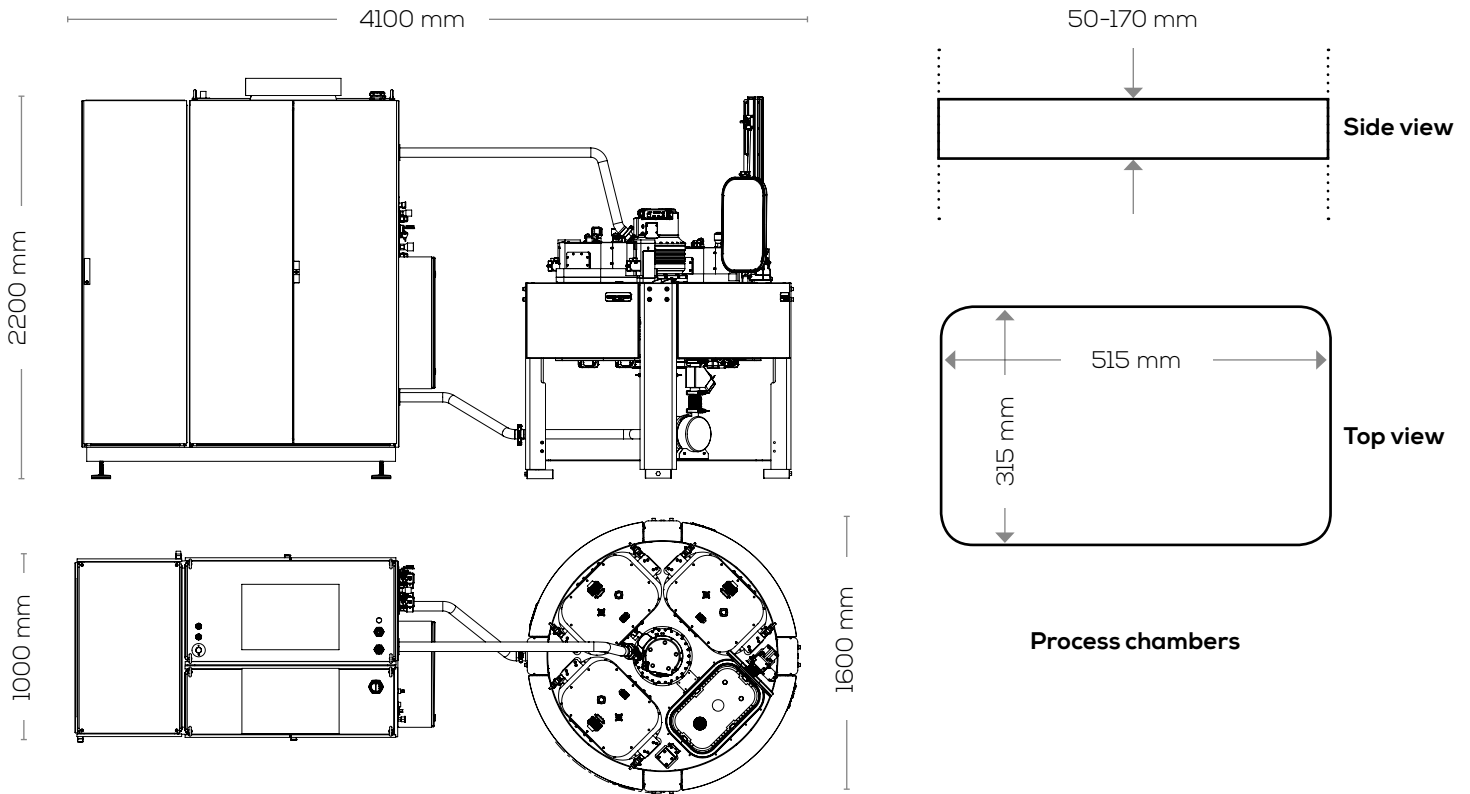


Integrated vacuum coating equipment for metallization on plastic or metal

- Decorative and functional metallization
- Integrated with injection molding
- Superior quality control and low cost

The INLINECOATER™M is equipped for high quality metallization in various applications, coating plastic and metal parts. This includes plasma etching, and multiple chamber magnetron sputtering deposition of a wide range of metals and metal alloys.

Automated production cells with plastic injection molding and the INLINECOATER™M or P are the industry's most cost efficient manufacturing solutions for plastic metallization.



TECHNICAL DATA

System configuration

Loadlock	Automatic or manual
Number of process chambers	3
Substrate transfer	Rotating revolver, under vacuum
Substrate holder	Horizontal, fixed in rotating revolver

Processes and sources

Substrate bias	No (optional)
Plasma etching	Yes
Deposition sources	Dynamic magnetron sputtering
Number of deposition sources	1-6
Source orientation	Top, bottom, or both

Vacuum system

Base pressure	$<1 \times 10^{-5}$ Torr
Turbo molecular pump	2300 l/s
Backing pump	Mechanical or dry pump
Pump, loadlock evacuation	Mechanical or dry pump

Productivity

Typical batch time	60 s
Control system	PLC (Mitsubishi), Panel PC, Citect HMI

Utilities

Electricity	400V 3N~, 125A, 50Hz
Cooling water	100 l/min, maximum 3 bar input
Compressed air	6-10 bar input, $<0,003$ mg/m ³ hydrocarbon
Process gas	Argon

System weight Approx. 3000 kg
(depends on configuration)

Note: Specifications may change without notice